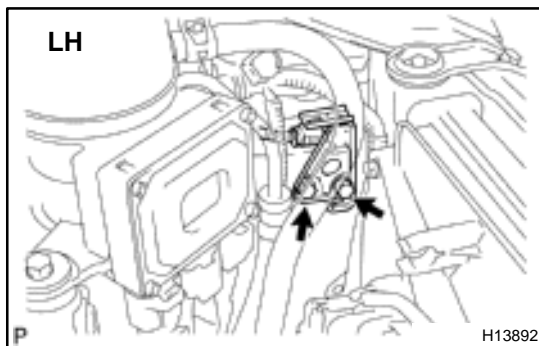


REMOVAL

NOTICE:

- If the wiring connector of the SRS is disconnected with the ignition switch at ON position, DTCs will be recorded.
- Never use SRS parts from another vehicle. When replacing parts, replace them with new ones.
- Never reuse the sensor involved in a collision with the SRS deployed.
- Never repair a sensor in order to reuse it.

1. REMOVE LUGGAGE COMPARTMENT TRIM BOX COVER
2. REMOVE TOOL BOX ASSEMBLY



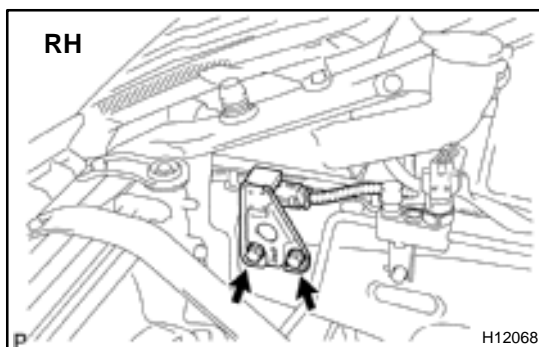
3. LH
REMOVE FRONT AIRBAG SENSOR

- (a) Disconnect the connector.

NOTICE:

Disconnect the connector with sensor assembly installed.

- (b) Remove the 2 bolts and front airbag sensor LH.



4. RH
REMOVE FRONT AIRBAG SENSOR

- (a) Disconnect the connector.

NOTICE:

Disconnect the connector with sensor assembly installed.

- (b) Remove the 2 bolts and front airbag sensor RH.